



More than just doors

Strip curtain

Efficiency meets flexibility

The plug-in strip curtain for every application and temperature range



Strip curtain

The efficient solution for a wide range of applications

Flexible protection

The plug-in strip curtain from cool it is recommended as an economical and efficient solution for many ranges of use. For example, as a lightweight thermal barrier to minimise temperature exchange and cold loss when used behind the doors of cold stores and freezer stores. Among other things, the strip curtain also demonstrates its strengths as protection against draughts, moisture exchange, dust, noise emissions and much more.

Effective separation

With its flexibility, the strip curtain from cool it covers a wide range of applications, even when it comes to separating different areas. The curtain not only enables quick passage, but also provides a better view through its transparency and thus also more safety when passing through separate work areas.

Efficient installation situation

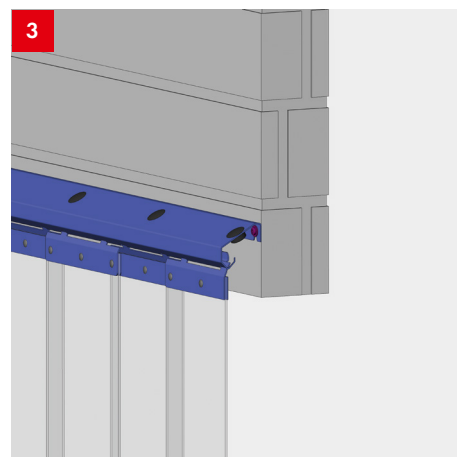
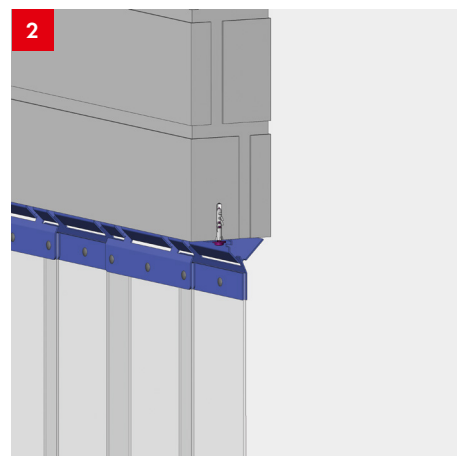
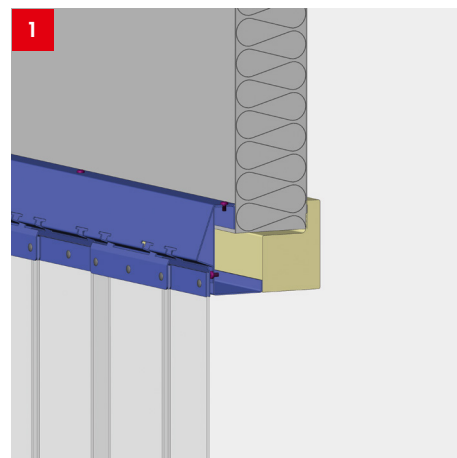
The strip curtain from cool it is suitable for installation behind the lintel, under the lintel and behind the clamping frame. The combination of a cool it clamping frame door and strip curtain with quick fastening adjustment makes installation easy. The design also means that individual slats can be replaced quickly and easily.

Curtain up for more flexibility

Its wide range of applications, practical flexibility and simple installation make the plug-in PVC strip curtain from cool it the ideal solution for every temperature range in almost all divisions.

Versatile and variable

- Low installation effort and fast bringing into service
- Maximum reliability in continuous operation
- Easy cleaning and optimum hygiene properties
- Lightweight thermal insulation properties
- Flexible separation of divisions
- Protection against external influences and contamination



1 Installation behind clamping frame

2 Installation behind lintel

3 Installation under lintel

Do you have any questions? We have the answers.

Contact us – phone: +49 (0)5422 609-0, E-mail: info@coolit.de

More information is available at: www.coolit.de

Technical data

Application and temperature range

Operating room, cold store (+1 °C to +8 °C), freezer room (0 °C to -28 °C) – no cold/heat insulating effect

Dimensions

Clear width (CW)	minimum: 500 mm, maximum: 3,000 mm
Clear height (CH)	minimum: 500 mm, maximum: 5,000 mm
Special sizes	Special sizes on request
Material thickness	2 mm, 3 mm

Material

PVC	Transparent soft PVC with 200 mm slat width, temperature range >0 °C
PVC cold resistant	Transparent soft PVC with 200 mm slat width, cold-resistant for temperature range <0 °C

Installation variants

Installation in masonry	Under lintel, behind lintel
Installation in element (panel)	Behind lintel, behind clamping frame

Rail

Suspension made of stainless steel (CNS)

If you require further information on equipment options and technical details, cool it will be happy to help.



cool it
More than just doors

cool it Isoliersysteme GmbH
Ochsenweg 18
49324 Melle/GERMANY

Phone +49 (0)5422 609-0
Fax +49 (0)5422 609-249
E-mail info@coolit.de

www.coolit.de



www.coolit.de

All information relating to the scope of delivery, appearance, performance characteristics, dimensions, etc. correspond to the information at the time the publication was created. Some of the depicted products in this catalogue are equipped with features that are only available at a surcharge. Presented illustrations or details in such illustrations may differ from the original. All information is supplied without guarantee. Subject to technical and other changes, no responsibility accepted for mistakes or printing errors. All specifications are subject to change without notice.

© 2025 cool it Isoliersysteme GmbH.
All rights reserved.